

Installation Instructions

Please Refer to Reverse Side for Photos of All Parts

Tools Required: Adjustable Wrench, Screwdriver, Electric Drill, Pipe Thread Tape, Plumber's Putty, Hacksaw

Tub Faucet & Shower Assembly

1. Turn off water supply to tub faucet (A).
2. Disconnect the water supply from old faucet and remove.
3. Clean surface of tub where old faucet was attached. Apply bead of plumber's putty to the back of new faucet. Place faucet into position and attach locknuts to the threaded supply shanks.
4. Reconnect supply lines to new faucet. Tighten coupling nuts securely.
5. Wrap pipe thread tape on the threads on both ends of upper riser tube (B).
6. Slide the straight end of upper riser tube through the center hole of the shower rod holder (C).
7. Wrap pipe thread tape on the threads on the top end of lower riser tube (D). Then thread on pipe coupling (E) and tighten with wrench.
8. Slide support bracket (F) over top end on pipe coupling. Thread in set screw. Thread wall support rod (G) into back of bracket and tighten set screw.
9. Thread the straight end of upper riser tube (B) into pipe coupling (E) and tighten with wrench.
10. Thread upper wall support tube (H) into back of shower rod holder (C) and tighten set screw.
11. Place a flange (I) onto the end of each of the wall support (G + H).
12. Thread showerhead (J) on end of curved top of riser tube (B).
13. Thread lower end of shower assembly into faucet connector nut (K) on faucet.

Shower Support Frame Assembly

14. Slide support bracket (F) over end of right-half of support frame (L). Slide end onto tapered end of left-half of support frame (M), making sure the holes are aligned. Move support bracket over the connected frame ends. Tighten set screw so that it threads into the aligned holes, holding the 2 halves together. *See Photo (right)*
15. Thread ceiling support tube (N) into support bracket (F). *See Photo (right)*
16. Place a flange (I) onto the end of ceiling support tube (N).
17. Slide the other ends of shower support frame into shower rod holder (C). Tighten the two set screws.
18. Position completed shower frame assembly on the ceiling and wall, and attach flanges by using supplied screws.

NOTE

Support tubes (H + N) can be cut to length as needed.

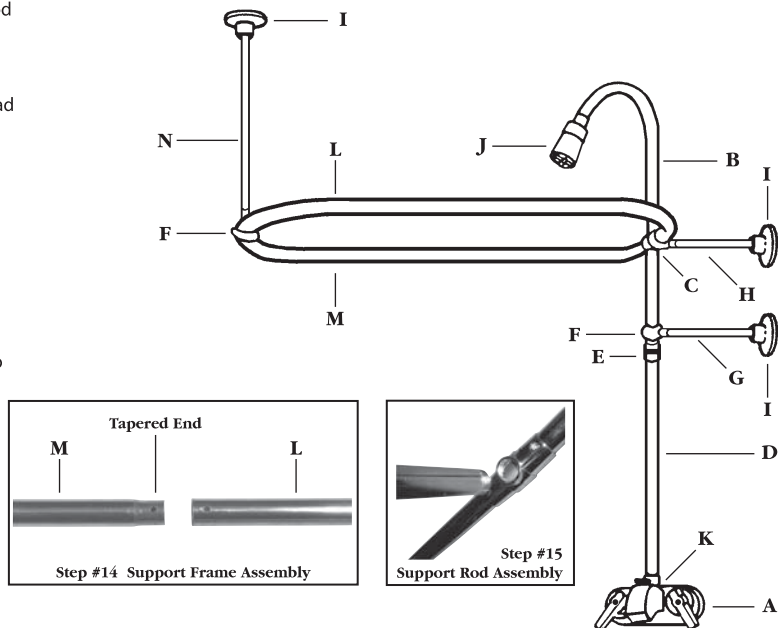
When fastening flanges to wall studs, use supplied wood screws.

When fastening flanges to drywall or hollow walls, use supplied plastic anchors first and then attach flanges using wood screws.

When fastening flanges to tiled walls, pre-drill holes using masonry drill bit and use toggle bolt anchors (not supplied) first, then attach flanges using wood screws.

Completing Assembly

19. Tighten large set screw on shower rod holder (C), securing shower frame assembly to faucet & shower assembly. Tighten all set screws on flanges.
20. Turn on water supply to tub faucet. Turn on faucet and shower and check all connections for leaks.



Add-A-Shower Parts



Pipe Coupling



Shower Rod Holder

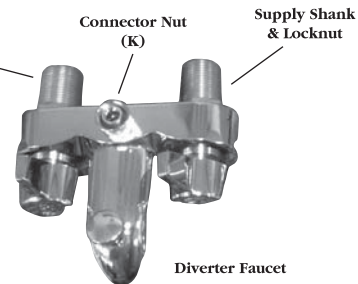


Set Screw

Support Bracket



Showerhead



Supply Shank & Locknut

Connector Nut (K)

Supply Shank & Locknut

Diverter Faucet

Support Frame
Right Side
(L)

Lower Wall Support Rod (G)

Upper Wall Support Tube (H)

Ceiling Support Tube (N)

Upper Riser (B)

Lower Riser (D)

Support Frame
Left Side
(M)

Flange for Support Rod (I)

Flanges for Support Tubes (2)

Woods Screws (6)

Plastic Anchors (6)