

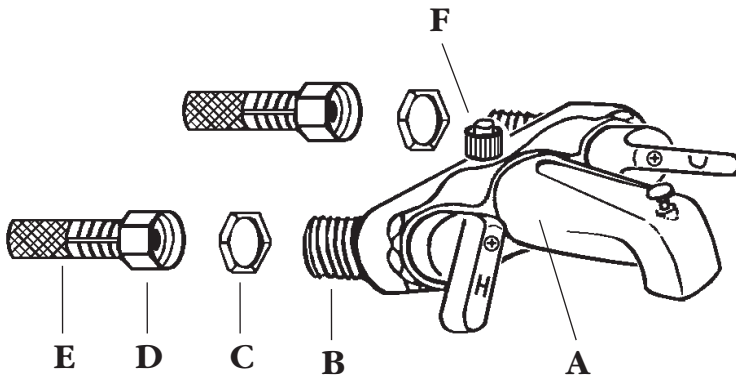
Replacement

4" Deck Faucet for Kitchen Plastic Underbody

Need Help?
WWW.DANCO.COM

Repuesto

Grifo de 4" para Concina Plastico



Instructions

Tools Required: Adjustable Wrench, Pipe Thread Tape

1. Turn off water supply to faucet.
2. Remove old faucet. Be careful not to damage water connectors.
3. Mount replacement faucet (A) by pushing faucet shanks (B) through sink or counter. Plastic gasket goes between the faucet body and sink. Slip rosettes over shanks and then thread shank nuts (C) onto faucet shanks to secure faucet.
4. Wrap pipe thread tape around shanks and then thread nuts (D) on water connectors (E) onto shanks.

Note: Make sure that the hot water connector is attached to the hot shank and the cold water connector is attached to the cold shank. If the nuts on water connectors do not fit onto shanks, you may have to replace water connectors.

5. Attach spout to outlet (F) located on top of faucet. Tighten spout nut.
6. Turn on water supply and check for leaks. If leak occurs, tighten connections.